

AQUA + HALF PEDESTAL



WASH BASIN

PRODUCT ID

(RB.LOK.01G101.01.09/ RB.LOK.02G101.01.03)

Fine Fire Clay Wash Basin with a single tap hole in the centre. This wash basin is also equipped with a half pedestal.

FEATURES

- Fine fire clay wash basin with an overflow hole
- Contemporary design
- Single tap hole in centre

INCLUDED COMPONENTS

- Half Pedestal
- Faucets not included

WARRANTY

- 25 year written warranty against crazing and dunting

STANDARDS APPLICABLE

- Specified model meets or exceeds the following:
- BS EN 14688 : 2006

TECHNICAL INFORMATION

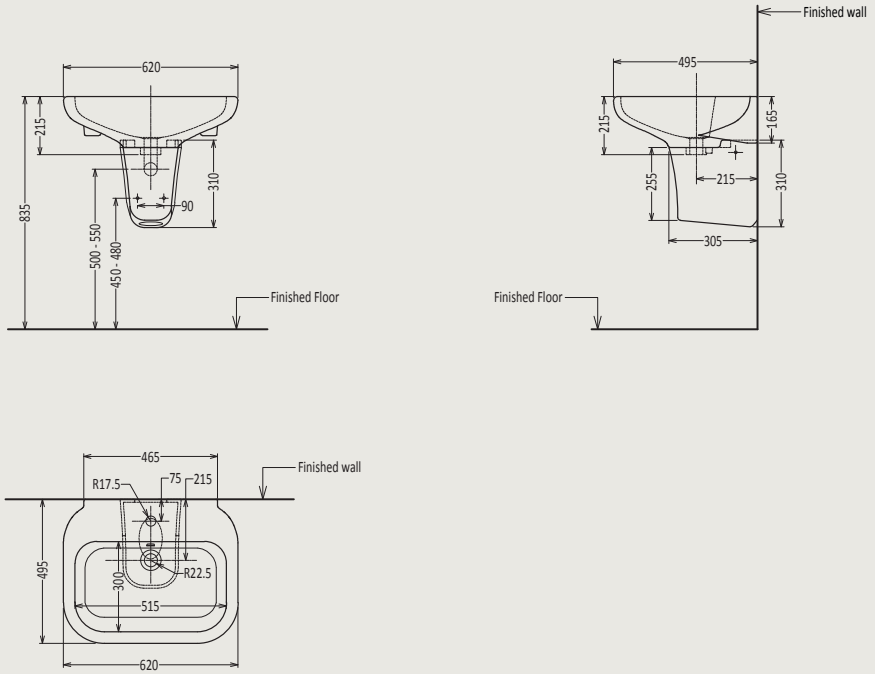
** Approximate measurements for comparison only

CONFIGURATION	FLOOR STANDING WASH BASIN
Weight (Pedestal + WB)	33.5kg
Basin Area	635mm×275mm×90mm
Height - Floor to Rim	800-850mm
Nominal Dimensions	990mm×475mm×205mm
Nominal Dimensions (Pedestal)	306mm×225mm×315mm
Faucet Hole	35mm
Waste Hole	45mm
Water Depth	90mm

AQUA + HALF PEDESTAL WASH BASIN

TECHNICAL DRAWINGS

All drawings contain the necessary measurements, which are subject to standard tolerances. They are stated in mm, are drawn on a scale of 1:20 and are non-binding. Exact measurements, in particular for customized installation scenarios, can only be taken from the finished ceramic piece.



INSTALLATION NOTES

- Install this product according to the installation guide

Royal Ceramics Lanka PLC.

No.20, R.A. De Mel Mawatha, Colombo 03, Sri Lanka.

☎ 076 6 223 344 ✉ info@rcl.lk 🌐 www.rocell.com

FOLLOW US



** Dimensions of fixtures are nominal and may vary within the range of tolerance. These measurements are subject to change or cancellation. No responsibility is assumed for use of superseded or voided leaflet.